

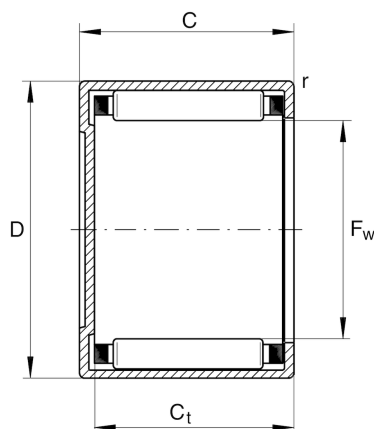
BK1015-B

Drawn cup needle roller bearing closed end

Schaeffler ID:
0050462970000

Drawn cup needle roller bearings with
closed end BK, to DIN 618/ISO 3245

Technical information



Main Dimensions & Performance Data

F_w	10 mm	Under roller diameter
D	14 mm	Outside diameter
C	15 mm	Width, outer ring
C_r	6,800 N	Basic dynamic load rating, radial
C_{0r}	8,800 N	Basic static load rating, radial
C_{ur}	1,230 N	Fatigue load limit, radial
n_G	24,300 1/min	Limiting speed
$n_{G \text{ Grease}}$	14,600 1/min	Limiting speed for grease lubrication
n_{gr}	18,200 1/min	Reference speed
	6.179 g	Weight

Additional information

r_{\min}	0.4 mm	Minimum chamfer dimension
	GR10X14X3	Sealing ring
$C_{t \min}$	13.4 mm	Minimum width to base of drawn cup with closed end
	G10X14X3	Sealing ring 2
	IR7X10X16-XL	Suitable inner rings IR

Temperature range

T_{\min}	-30 °C	Operating temperature min.
T_{\max}	140 °C	Operating temperature max.